
Hybrid Flapper Stuffing Box

The WNS Lowery Performance Style Hybrid Flapper Stuffing Box (HFSB) features an integrated flapper valve that enables the automatic sealing of the well if the polished rod breaks. The HFSB provides high pressure capability while also maintaining a low profile. The all steel unit is furnished for sour service (NACE MR-01-75) standard. All units can be fitted with the WNS Lowery Performance Style HE-LUG to improve the performance of the unit and reduce costly maintenance.



Hybrid Flapper Stuffing Box

Features:

- 5000 PSI working pressure
- Flapper Valve automatically closes and seals if the Polished Rod were to break
- Flapper is made of steel and aluminum bronze to reduce wear to the polished rod under normal operation.
- Dome-Style primary packing is available for 1 ¼" and 1 ½" polished rod sizes
- Two 1/4" NPT ports allow for pressure monitoring above and below the flapper
- Optional HE-LUG for improved performance

Applications:

- Frac-Protect Pressure Control
- Artificial Lift



Hybrid Flapper Stuffing Box with HE-LUG



WNS Lowery
 2221 SE 69th St
 Oklahoma City, OK 73149
 (405) 677-7222

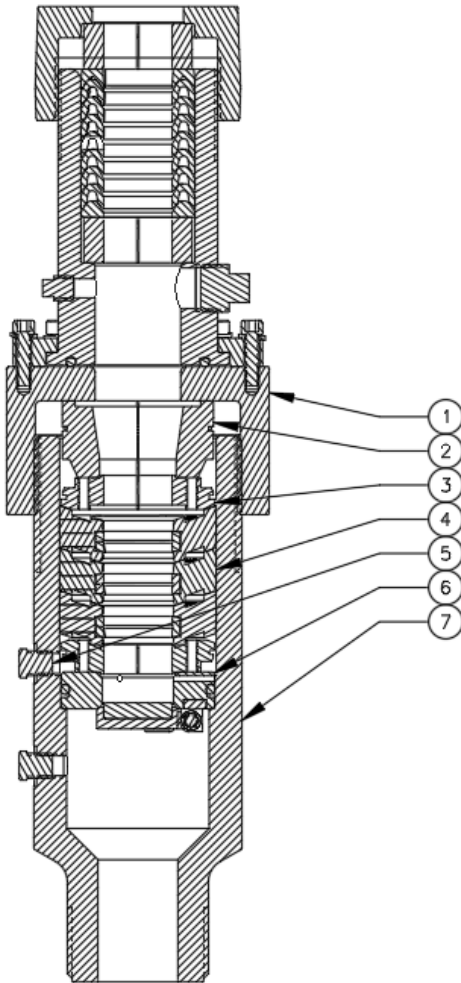
Specifications

Working Pressure	5000 PSI
Body Material	1045 Steel
Flapper Material	Aluminum Bronze
Bottom Connection	2 7/8" EUE
Packing Sizes	1 1/4" & 1 1/2"
Packing Material	Buna, HSN

Dimensions

	HSFB	HFSB w/ HE-LUG
Height	13 1/2"	21 3/8"
Weight	45 lb	65 lb

Parts List



Item	Part Number	Description	Qty
1*	106370	Cap	1
	112453	1 1/4" HE-LUG Assembly	
	112457	1 1/2" HE-LUG Assembly	
2	119077	Upper Packing Ring	1
3	119033	1 1/4" Bronze Ring Set	1
	119037	1 1/2" Bronze Ring Set	
4*	114523	1 1/4" Dome Packing, Buna	1
	114527	1 1/2" Dome Packing, Buna	
5	117502	1/4" Plug	2
6	112074	Flapper Assembly	1
7	100941	2 7/8" Body	1

*Not all options shown