

## Integrated Tee Blow-Out Preventor

The WNS Lowery Integrated Tee Blow-Out Preventor (L-ITBOP) is a compact low-profile BOP with integrated flow outlets. Two 2" NPT outlets facilitate additional flow to maximize production. All parts are heat treated to increase hardness and wear resistance to extend the life of the BOP.

The unique 45° flow outlets offer easy adjustment to any flowline height. This design allows for a shorter stack up which in turn creates a larger stroke length and increased production.

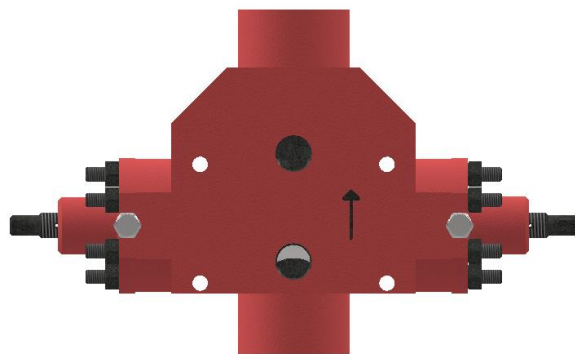
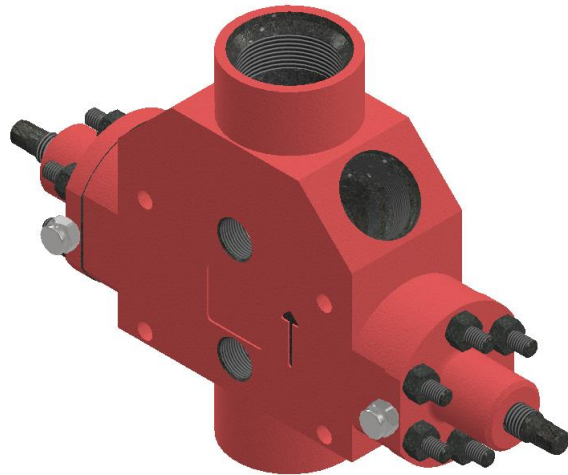
The Pressure Balanced Ram design ensures easy operation requiring only 100 ft/lb of torque to seal. Two 1" NPT ports allow for pressure monitoring above and below the rams.

### Features:

- 5000 PSI Max working pressure
- Low profile compact design
- NACE MR0175 standard
- 2 7/8" EUE connection
- 1 1/2" Ram size
- Molded HSN Ram Blocks with Graphite Teflon blended back up rings
- Two 2" NPT flow ports
- Two 1" NPT ports for monitoring or bleeding pressure
- Pressure balanced rams
- Visual indication on Ram Bolts to show open/close position

### Applications:

- Frac-Protect Pressure Control
- Artificial Lift





WNS Lowery  
 2221 SE 69<sup>th</sup> St  
 Oklahoma City, OK 73149  
 (405) 677-7222

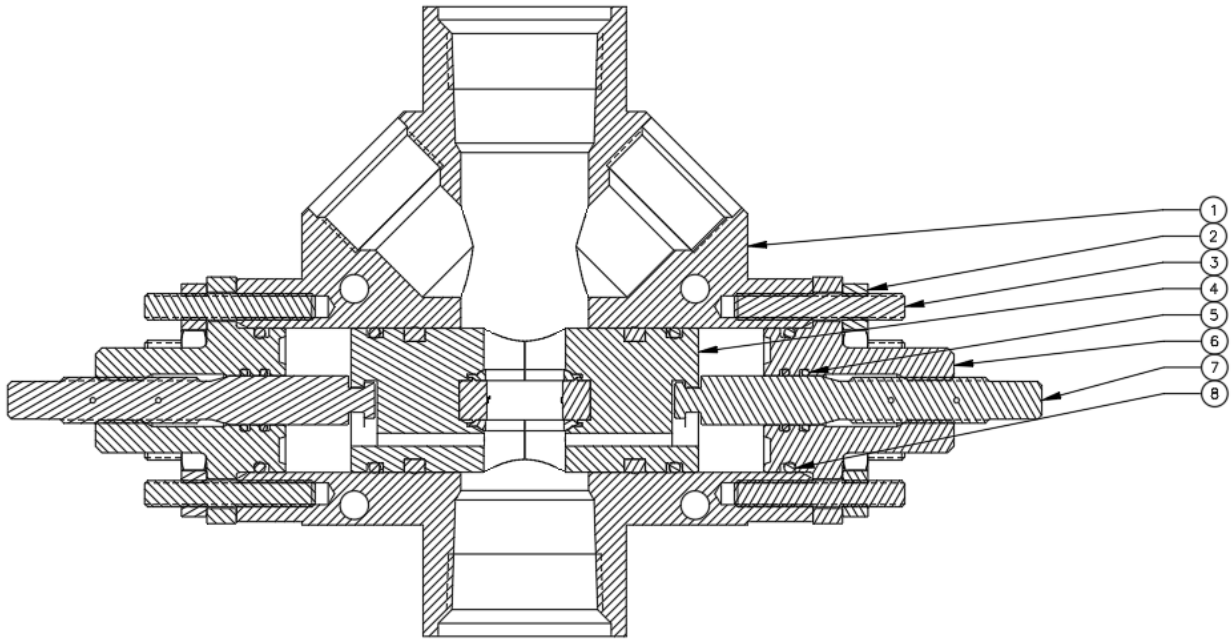
### Specifications

Working Pressure	5000 PSI max
Body Material	4130 Steel
Ram/Elastomer Material	HSN
Connection Sizes	2 7/8" EUE
Ram Size	1 1/2"
Closing Torque	100 ft/lb

### Dimensions

Height	12"
Open Width	22 1/4"
Closed Width	19 3/4"
Approximate Weight	75 lb.

### Parts List



Item	Part Number	Description	Qty
1	100522	2 7/8" Body	1
2	113602	Hex Nut	12
3	172003	Stud	12
4	118734	1 1/2" Ram Set	1
5	114414	Ram Bolt O-Ring (HSN)	4
6	106720	Cap	2
7	119430	Ram Bolt	2
8	114349	Cap O-Ring (HSN)	2
9	112063	Grease Fitting (not shown)	2