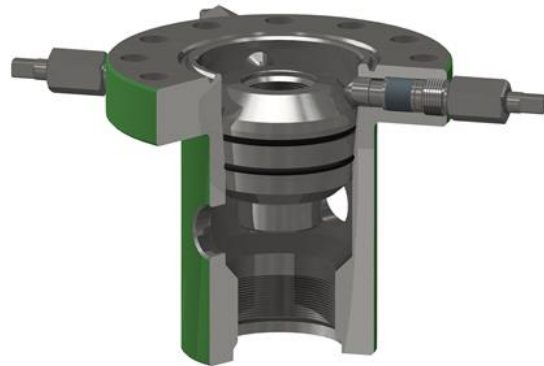


L-W2W Profile Tubing Head

The WNS Lowery L-W2W profile tubing head offers a flanged tubing head that can be used in conjunction with a B1 or B2 adapter flange. This innovative design eliminates possible leaks associated with traditional rubber packing by using a dual sealing mandrel and flange ring gasket. The high strength forged tubing head eliminates the possibility of porosity. All L-W2Ws come with four lockdown bolts and two 2" LP side ports.

Features:

- 3M or 5M psi working pressure.
- 4 ½", 5 ½", or 7" Female tubing bottom thread
- 2 3/8", 2 7/8", and 3 1/2" Mandrel for suspension.
- Two 2" LP side outlets
- 7 1/16" 3M or 5M Top Flange
- Can be used in combination with B1 or B2 adapter flanges.
- Forged high strength carbon steel



L-W2W 7 1/16" – 3M

Applications:

- Artificial Lift



L-W2W 7 1/16" – 5M



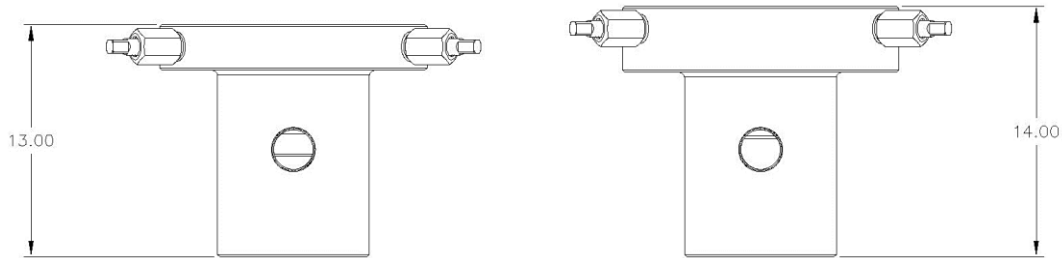
WNS Lowery
 2221 SE 69th St
 Oklahoma City, OK 73149
 (405) 677-7222

Specifications

	L-W2W 3M PSI	L-W2W 5M PSI
Working Pressure	3000 PSI	5000 PSI
Bottom Thread	4 1/2"-8rd, 5 1/2"-8rd, or 7"-8rd	
Flange Material	Forged Carbon Steel	
Inner String*	2 3/8", 2 7/8", and 3 1/2"	
Suspension	Mandrel or Threaded	
Side Outlets	2" NPT	

*3 1/2" not possible with 4 1/2"-8rd bottom thread

Dimensions



	L-W2W 3M PSI			L-W2W 5M PSI		
Bottom Thread	4 1/2"-8rd	5 1/2"-8rd	7"-8rd	4 1/2"-8rd	5 1/2"-8rd	7"-8rd
Approximate Weight	220 lb	210 lb	195 lb	265 lb	255 lb	240 lb
Minimum Bore	4.100 in	5.020 in	6.550 in	4.100 in	5.020 in	6.550 in
Stud/Nut Sizes	1 1/8"-8UN x 8 1/2", qty: 12			1 3/8"-8UN x 11 1/4", qty: 12		
Flange Size	7 1/16"-3M			7 1/16"-5M		
Flange Gasket	R-45 or RX-45			R-46 or RX-46		

Parts List

	Part Number	Description	QTY
1	30100002	Lock Down Bolt Assembly	4
1a	302289	Lock Down Bolt	1
1b	302285	Lock Down O-Ring, Buna-N	1
1c	302286	Lock Down Nut	1
1d	302288	Lock Down Packing Ring	2
1e	302287	Lock Down Packing, Graphite	1
2	302293	Mandrel O-Ring	2
3	302290	Mandrel, 2 3/8"-8rd EUE	1
	302291	Mandrel, 2 7/8"-8rd EUE	
	302292	Mandrel, 3 1/2"-8rd EUE	
4	302276	Body, 7 1/16"-3M, 4 1/2"-8rd	1
	302279	Body, 7 1/16"-3M, 5 1/2"-8rd	
	302282	Body, 7 1/16"-3M, 7"-8rd	
	302278	Body, 7 1/16"-5M, 4 1/2"-8rd	
	302281	Body, 7 1/16"-5M, 5 1/2"-8rd	
	302284	Body, 7 1/16"-5M, 7"-8rd	

