

---

## Performance Style Stuffing Boxes

The WNS Lowery Performance Style Big Boy Stuffing Boxes (BBSB) offers a way to increase productivity while decreasing cost. The design reduces the effort associated with installation and maintenance by decreasing the effort associated with bolt adjustments, increased corrosion resistance, and ensure even compression on the packing every time.

All units can be fitted with Performance Style HE-LUG to improve the performance of the unit and reduce costly maintenance. The BBSB can also be fitted with a Pollution Control Base to seal off the unit if the polished rod were to fail.

### Features:

- 1500, 3000, & 5000 PSI working pressure
- Compression Bolts enables maintenance to the primary packing while under pressure
- Even packing pressure and adjustment
- Decreased packing maintenance time
- Low Profile
- Corrosion resistant coatings available
- Optional Performance Style HE-LUG
- Standard brass inverter ring reduces polished rod scoring

### Applications:

- Pressure Control
- Artificial Lift



1500 lb Big Boy Stuffing Box



3000 lb Big Boy Stuffing Box



5000 lb Big Boy Stuffing Box

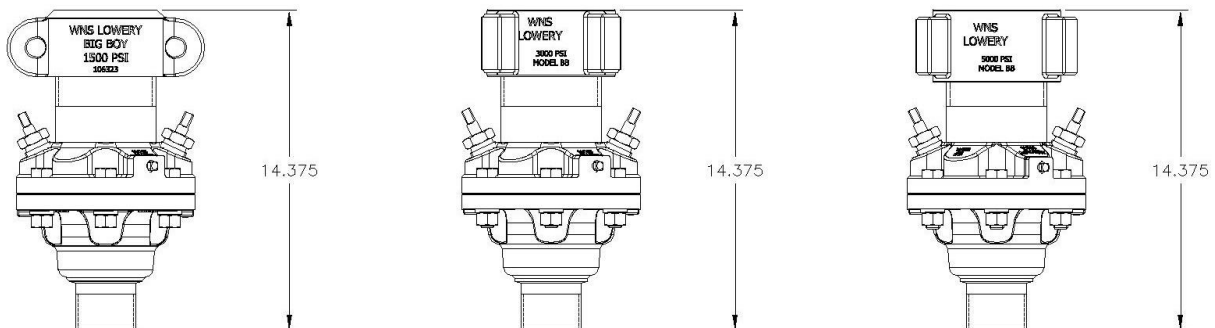


WNS Lowery  
 2221 SE 69<sup>th</sup> St  
 Oklahoma City, OK 73149  
 (405) 677-7222

### Specifications

	1500 Big Boy	3000 Big Boy	5000 Big Boy
Working Pressure	1500 PSI	3000 PSI	5000 PSI
Material	Ductile Iron	WCB Steel	
Bottom Connection Sizes (API or LP)	2", 2 ½", 3"		
Bottom Connection	Male		
Split Cone Packing Sizes	1", 1 1/8", 1 1/4", 1 5/16", 1 3/8", 1 1/2", & 1 3/4"		
Pieces Required	5 Top Cones 1 Bottom Cone		

### Dimensions



	1500 Big Boy	3000 Big Boy	5000 Big Boy
Height	14 3/8"	14 3/8"	14 3/8"
Approximate Weight	45 lb.	50 lb.	50 lb.

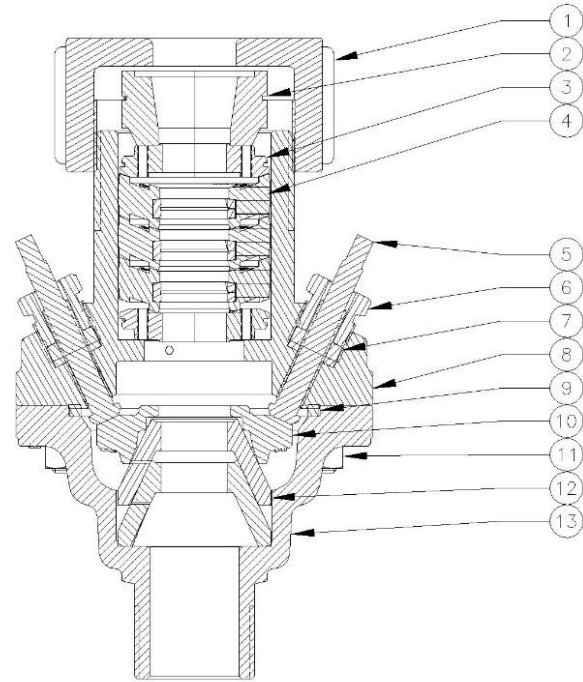




WNS Lowery  
 2221 SE 69<sup>th</sup> St  
 Oklahoma City, OK 73149  
 (405) 677-7222

Parts List

	Part Number	Description	QTY
1	106323	Top Cap, 1500	1
	106360	Top Cap, 3000	
	106370	Top Cap, 5000	
2	119063	Compression Cone, 1"-1 5/16"	1
	119067	Compression Cone, 1 3/8"-1 1/2"	
	119068	Compression Cone, 1 3/4"	
3	119023	Bronze Ring Set, 1"-1 5/16" (Dome packing only)	1
	119027	Bronze Ring Set, 1 3/8"-1 1/2" (Dome packing only)	
	119028	Bronze Ring Set, 1 3/4" (Dome packing only)	
4	114501	Cone Packing, 1" Soft	1
	114502	Cone Packing, 1 1/8" Soft	
	114503	Cone Packing, 1 1/4" Soft	
	114504	Cone Packing, 1 5/16" Soft	
	114505	Cone Packing, 1 3/8" Soft	
	114506	Cone Packing, 1 7/16" Soft	
	114507	Cone Packing, 1 1/2" Soft	
	114508	Cone Packing, 1 3/4" Soft	
	114521	Dome Packing, 1" Buna-N	
	114522	Dome Packing, 1 1/8" Buna-N	
	114523	Dome Packing, 1 1/4" Buna-N	
	114524	Dome Packing, 1 5/16" Buna-N	
	114525	Dome Packing, 1 3/8" Buna-N	
	114526	Dome Packing, 1 7/16" Buna-N	
114527	Dome Packing, 1 1/2" Buna-N		
114528	Dome Packing, 1 3/4" Buna-N		
5	101901	Compression Bolt, Set	1
6	113501	Compression Nut, Set	2
7	118901	Compression Gland Ring, Set	2
8	100912	Body, 1500	1
	100922	Body, 3000	1
	100923	Body, 5000	1
9	114401	O-Ring	1
10	119001	Compression Ring, 1"-1 5/16"	1
	119002	Compression Ring, 1 3/8"-1 1/2"	
	119003	Compression Ring, 1 3/4"	
11	101801	Body Bolt Set	1



	Part Number	Description	QTY
12	See 4	Packing (Cone Style only)	1
13	100301	Base, 1500, 2" 8RD EUE	1
	100302	Base, 1500, 2" 11 1/2V LP	
	100303	Base, 1500, 2 1/2" 8RD EUE	
	100304	Base, 1500, 2 1/2" 11 1/2V LP	
	100305	Base, 1500, 2 1/2" 8V LP	
	100306	Base, 1500, 3" 8RD EUE	
	100307	Base, 1500, 3" 8V LP	
	100311	Base, 3000/5000, 2" 8RD EUE	
	100312	Base, 3000/5000, 2" 11 1/2V LP	
	100313	Base, 3000/5000, 2 1/2" 8RD EUE	
100314	Base, 3000/5000, 2 1/2" 11 1/2V LP		
100315	Base, 3000/5000, 2 1/2" 8V LP		
100316	Base, 3000/5000, 3" 8RD EUE		
100317	Base, 3000/5000, 3" 8V LP		
14*	117505	Square Plug	2

\*Not shown  
 \*\*Not all options shown