

Shut Down Control Device

The WNS Lowery Shut Down Control Device (SDCD) provides an automatic way to shut down a well site in the case of leaks. The SDCD reduces the costs associated with leaks, clean up, and continuous monitoring. The SDCD can be installed on any Standard Style Stuffing Box and HE-LUG.

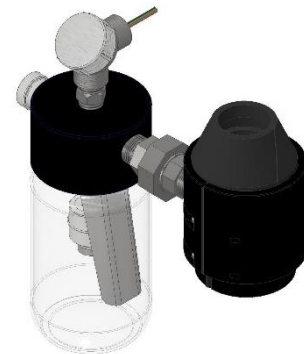
The Shut Down Control Device is explosion proof per NEC Class I, Div I. A Split Housing Adapter comes standard to fit on any Standard Style Stuffing Box. A secondary cone packing is installed in the adapter to prevent outside liquids from entering the SDCD to prevent accidental shut offs. The $\frac{3}{4}$ " NPT pipe nipple allows installation on all WNS HE LUGs.

Features:

- Meets NEC Class I, Div I.
- Stainless Steel Reservoir available.
- Reduces spills due to leakage.
- Automatic well shut down caused by excessive leaking.
- Normally Open and Closed contacts
- Compatible with all Standard Style Stuffing Boxes and HE-LUGs

Applications:

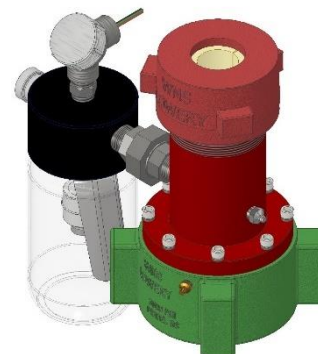
- Pressure Control
- Artificial Lift



Shut Down Control Device



Installed on DPSB



Installed on 3000# BB HE-LUG



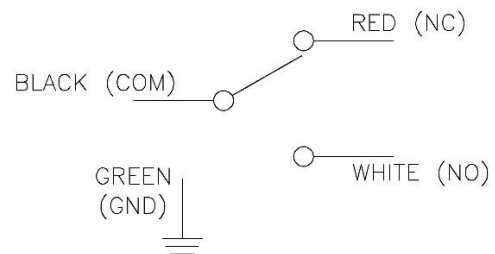
WNS Lowery
 2221 SE 69th St
 Oklahoma City, OK 73149
 (405) 677-7222

Physical Specifications

	Shut Down Control Device
Rating	NEC Class I Div I
Housing Material	Anodized 6061 Aluminum
Reservoir Material	Plastic, Glass, Stainless Steel
Connection	Split Housing Adapter / 3/4" NPT Male
Packing Sizes	1", 1 1/8", 1 1/4", 1 5/16", 1 3/8", 1 1/2", & 1 3/4"
Packing Required	1 Bottom Cone & 1 Top Cone
Ambient Temperature	Storage: -40°F (-40°C) to 250°F (125 °C) Operation: -10°F (-25°) to 225°F (109°C)

Electrical Specifications

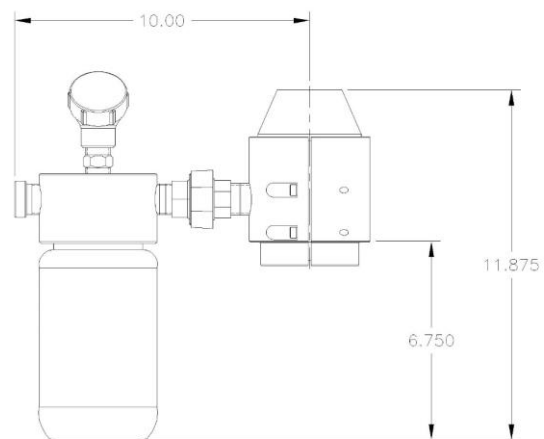
	SDCD
Switch Type	SPDT
Max. Watts	100 W
Voltage Switching VDC Max.	120 V
Voltage Breakdown VDC Min.	150 V
Current Switching Amp Max.	3 A
Current Carry Amp. Max	3.6 A



Wiring Diagram (SPDT)

Dimensions

	SDCD
Total Height	11.875 in
Installation Clearance	4 in
Max Length from Polished Rod	10 in
Wire Length	3 ft
Reservoir Max Capacity	1 quart





WNS Lowery
2221 SE 69th St
Oklahoma City, OK 73149
(405) 677-7222

Installation Instructions

Adapter Installation

1. Check the clearance between the top of the WNS Standard Style Stuffing Box and the bottom of the polished rod liner clamp. Stop the pumping unit near the bottom of the stroke. Adjust the polished rod liner to provide a minimum of 4 inches of clearance.
2. Remove the top cap and top cone packing from the upper gland of the stuffing box.
3. Using the string (#18) provided, suspend the stuffing box cap out of the way. Clean the upper gland housing in preparation for the stuffing box adapter. Place the lower adapter seals (#13) in the stuffing box, placing the cuts on opposite sides of each other. If grease is used as the lubricant, place the crown ring around the polished rod liner.
4. Remove the four (4) screws from the adapter to separate the two (2) halves. Place the adapter around the polished rod and start the screws back into the adapter. Ensure both adapter side seals (#12) are positioned properly, then lightly tighten the screws. Set the adapter down into the top of the upper gland housing of the stuffing box.
5. Install the new heal packing cone (#11) then the new top cone (#10) from the kit in the top of the adapter. Position the adapter to the desired orientation of the reservoir assembly. Release the stuffing box cap and secure onto the stuffing box upper gland with the new 3/8" bolts (#14), lock washers and screw nuts (#15), and bolt retainers (#16) (Bolt retainers should be placed above the bolt holes on the stuffing box upper gland).

Reservoir Holder Installation

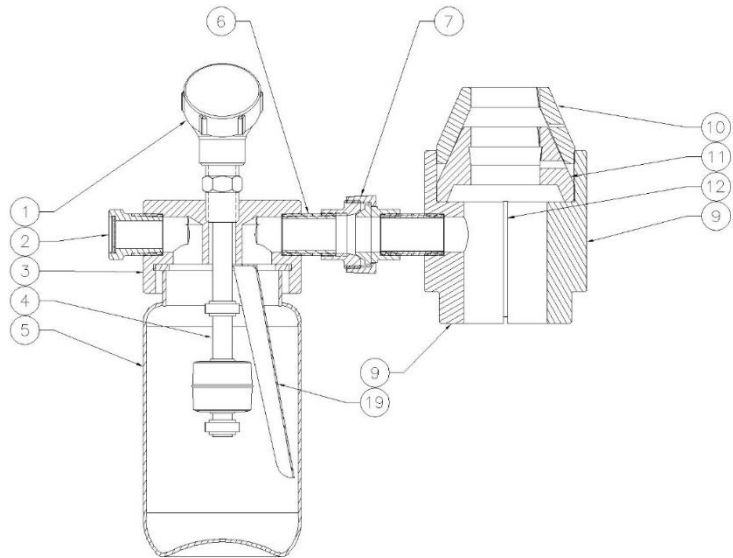
1. Install the reservoir holder onto the adapter by joining the 3/4" union. Tighten the assembly with the float assembly pointing down. Install the clear reservoir in the holder and tighten by hand.
2. Start the pumping unit, inspect the unit carefully to ensure there are no clearance problems or fluid leaks.
3. For stuffing boxes using grease as the lubricant, pump grease into the grease fitting on the stuffing box until the adapter is full.



WNS Lowery
 2221 SE 69th St
 Oklahoma City, OK 73149
 (405) 677-7222

Parts List

	Description	QTY
1	Electrical Connection Box	1
2	Vent Assembly	1
3	Reservoir Holder	1
4	Liquid Level Switch, SPDT	1
5	Reservoir	1
6	3/4" Nipple	2
7	3/4" Union	1
8*	Adapter Screws	4
9	Adapter Housing	1
10	Top Cone Packing	1
11	Lower Cone Packing	1
12	Side Adapter Seals	2
13*	Lower Adapter Seals	2
14*	Mounting Bolts	2
15a*	Lock Washers	2
15b*	Square nut	2
16*	Bolt Retainer	2
17*	3/16" Allen Wrench	1
18*	String	1
19	Guard	1



*Not shown
 **Not all options shown

Selection Matrix

SDCD	-	-	-
			Cone Packing Size
		0	No Adapter
		1	1"
		1 1/8	1 1/8"
		1 1/4	1 1/4"
		1 5/16	1 5/16"
		1 3/8	1 3/8"
		1 1/2	1 1/2"
		1 3/4	1 3/4"
			Reservoir Material
		P	Plastic (Standard)
		SS	Stainless Steel
		G	Glass

*Buna-N Standard
 **Consult factory for additional options